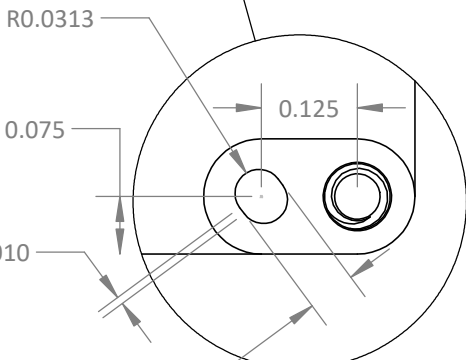
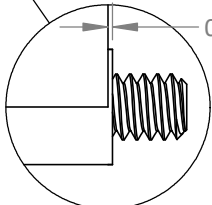


DETAIL A
SCALE 6 : 1



DETAIL B
SCALE 4 : 1



DETAIL C
SCALE 4 : 1

Note 1: Suggested Maximum Torque: 2.5 in-lbs
While this value is provided from reliable sources, there are many variables that will effect this value and the use of this information is at the sole risk of the user.

TITLE: DOC00733_Rev-C_MS-IMU3025 Dimensional Drawing Imperial			
UNLESS OTHERWISE SPECIFIED:		NAME	DATE
DIMENSIONS ARE IN INCHES		DRAWN	JB 07-29-2020
TOLERANCES		ENG APPR.	DL 07-29-2020
ANGULAR: MACH ±0.1		MFG APPR.	EL 07-29-2020
TWO PLACE DECIMAL ±0.01		DOC NO DOC00733 REV C	
THREE PLACE DECIMAL ±0.003		PART NO MP00075 REV D	
FOUR PLACE DECIMAL ±0.0005		SCALE: 2:1 WEIGHT: SHEET 1 OF 1	
INTERPRET GEOMETRIC TOLERANCING PER:	ASME Y14.5-2009		
MATERIAL	6061-T6 AL		
FINISH	MIL-A-8625 ANODIZE		
DO NOT SCALE DRAWING			



PROPRIETARY AND CONFIDENTIAL
THE INFORMATION CONTAINED IN THIS DRAWING IS THE SOLE PROPERTY OF MEMSENSE, LLC. ANY REPRODUCTION IN PART OR AS A WHOLE WITHOUT THE WRITTEN PERMISSION OF MEMSENSE, LLC IS PROHIBITED.