



**C30X0-G10F-H6F-36**

**MS-IMU30X0 36 Inch**

**Development Interface Cable**

Document Number: DOC00478

Document Revision: A

Product Part Number: MP00063-001

Product Revision: B

*MEMSENSE.COM*

888.668.8743

Information provided herein is considered accurate however is not guaranteed. Memsense reserves the right to change specifications at any time, without notice.

## Document Change History

REV	STATUS	DESCRIPTION	DATE
A	Release	Initial release.	8-23-16

Information provided herein is considered accurate however is not guaranteed. Memsense reserves the right to change specifications at any time, without notice.

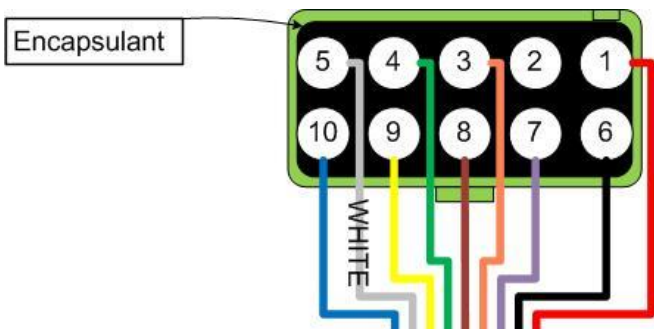
# 1.0 SPECIFICATION

**Table 1 – Cable Specifications**

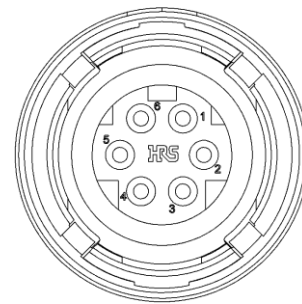
<b>IMU Connector Mfg.</b>	Harwin
<b>IMU Connector Housing</b>	G125-2041096L0
<b>Contacts</b>	G125-0020005
<b>Encapsulant</b>	Stycast 2651, Catalyst 9
<b>Host Connector Mfg.</b>	Hirose
<b>Host Connector PN</b>	HR30-6P-6S
<b>Overall Length</b>	36 inches
<b>Cable Mfg.</b>	Microflex Wire & Cable
<b>Cable PN</b>	BN103025FEPUSIL
<b>Cable Jacket</b>	Silicone Rubber
<b>Cable OD</b>	0.115 inches
<b>Wire Gauge</b>	AWG 30
<b>Wire Insulation</b>	FEP

**Table 2 – Pinout Signals**

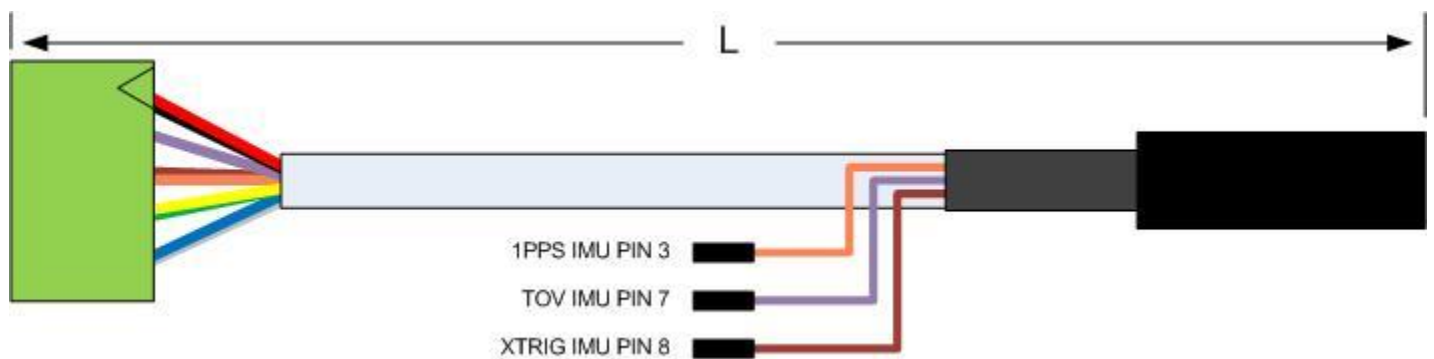
IMU Pin No.	Wire Color	Host Pin No	Signal Name
1	Red	2	PWR
2	None		No Connect
3	Orange	Fig 3	1PPS
4	Green	1	RCV A
5	White	6	RCVB
6	Black	5	GND
7	Violet	Fig 3	TOV
8	Brown	Fig 3	X TRIG
9	Yellow	3	TX Y
10	Blue	4	TX Z



**Figure 1 – IMU Connector Contact Pinout Arrangement**



**Figure 2 – Host Connector Contact Pinout Arrangement**



**Figure 3 – Cable Overall Length Diagram**