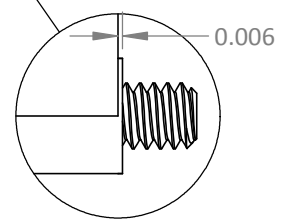


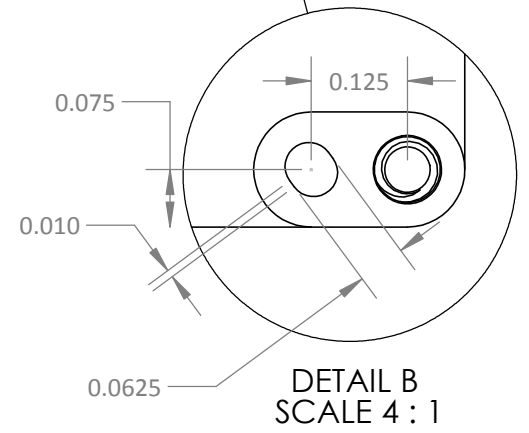
Dowel Pin Slot

0.0010

Relative to All Mounting Surfaces



DETAIL C
SCALE 4 : 1



DETAIL B
SCALE 4 : 1

Note 1: Suggested Maximum Torque: 2.5 in-lbs
While this value is provided from reliable sources, there are many variables that will effect this value and the use of this information is at the sole risk of the user.

TITLE: MS-IMU3030-Dimensional-Drawing-Imperial-Rev-E			
UNLESS OTHERWISE SPECIFIED:		NAME	DATE
DIMENSIONS ARE IN INCHES		DRAWN	JB 10-28-2019
TOLERANCES		ENG APPR.	DL 10-28-2019
ANGULAR: MACH ±0.1		MFG APPR.	EL 10-28-2019
TWO PLACE DECIMAL ±0.010		DOC NO DOC00521	
THREE PLACE DECIMAL ±0.003		REV E	
FOUR PLACE DECIMAL ±0.0005		REV E	
INTERPRET GEOMETRIC TOLERANCING PER: ASME Y14.5-2009		REV E	
MATERIAL	6061-T6 AL	SIZE	PART NO
FINISH	MIL-A-8625 ANODIZE	A	MP00066
DO NOT SCALE DRAWING		SCALE: 2:1	WEIGHT:
		SHEET 1 OF 1	



PROPRIETARY AND CONFIDENTIAL
THE INFORMATION CONTAINED IN THIS DRAWING IS THE SOLE PROPERTY OF MEMSENSE, LLC. ANY REPRODUCTION IN PART OR AS A WHOLE WITHOUT THE WRITTEN PERMISSION OF MEMSENSE, LLC IS PROHIBITED.